



– RELIABLE
WOOD
CHIPPING

100%
ELECTRICAL

TP 175 MOBILE

TP 175 **E-ZE**
Zero Emission
TECH SHEET

ZERO EMISSION FOR GREENER WORK



DESIGNED

MANUFACTURED

DENMARK



TP 175 E-ZE

Zero Emission

ZERO EMISSION FOR GREENER WORK



HIGHLIGHTS 175 E ZE

- **100 % ELECTRIC-ZERO EMISSION**
- **TP Vario Spout** height-adjustable spout
- **1 tool - 2 blades - 3 minutes** - easy and efficient change of knives
- **TP Opticut** - 2 displaced blades - less vibrations - optimised fuel consumption
- **TP Pilot** - no stress control
- **TP Service Box** - avoid down-time (option)
- **3-year warranty** (or 1000 working hours)
- **5-year warranty** on battery



TP VARIO SPOUT / FIXED SPOUT

- **TP VARIO SPOUT** manually height-adjustable ejector spout (5 positions for chipping)
- To be completely lowered during transport and storing h;175 cm (transport/storing position)
- **TP FIXED SPOUT** the cost-efficient spout (1 position for chipping and storing)

HORIZONTAL FEED ROLLERS/ ROLLER SPEED HYDRAULIC ADJUSTED

- Powerful infeed
- 1 aggressive top roller with teeth and 1 bottom roller
- Roller opening: 175 x 191 mm
- Hydraulic adjustment of rollers
- woodchip size 4-12 mm

AVOID DOWN-TIME WITH TP SERVICE BOX

- TP SERVICE BOX with critical wear parts is available as an option
- Includes an extra set of knives, counter steel, wipers, hydraulic filters, bolts and nuts.



TP 175 E-ZE

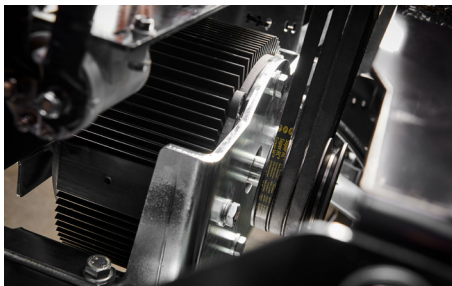
Zero Emission

ZERO EMISSION FOR GREENER WORK



TP WARRANTY

- 3-year (or 1000 hours)
- 5-year warranty on battery



LMC ENGINE

- Low maintenance
- City and Eco-friendly
- Reduced noise level



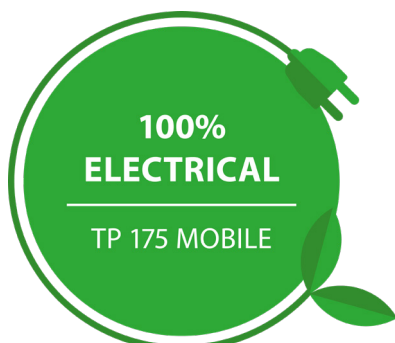
LITHIUM NMC LINIMNCOO₂ BATTERY

- 65V battery with 288 Ah
- Charging from 0% - 100% ~ 7 hours (230V-16A)
- Operational time: 4 hours (mixed material)
- Ability to work/drive while charging



INTEGRATED CHARGER

- 230V 16A 65V
- IP 65 protected



TP 175 E-ZE

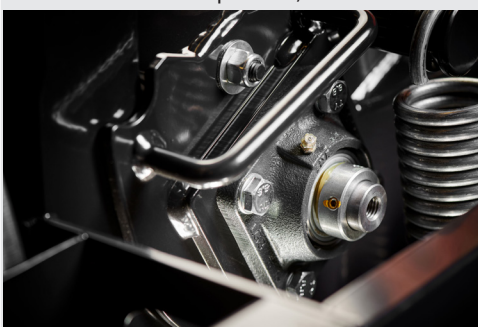
Zero Emission

ZERO EMISSION FOR GREENER WORK



SERVICE FRIENDLY LIKE NO OTHER

- Large clean surfaces that effectively protect the machine components,



- Quick and easy access to daily maintenance, including the lubrication points. (50 hours)
- No need for special tools
- Reduced time for daily service



SAFETY AT ALL TIMES

- TP E-STOP and additional optional safety kit consisting of either 2 or 4 E-STOP switches (located on the top and on the side of the funnel)
- By activation feed rollers stop rotating



TP OPTICUT (2 displaced blades)

- TWO blades are displaced on the rotor disc
- One blade always engaging the tree
- Resulting in less vibrations and steadier strain on the machine
- Optimized and lower fuel consumption
- A very uniform chip quality - suitable for mulching and heating purposes



TP PILOT™ (No stress control)

- TP PILOT that automatically starts and stops the feed rollers based on the disc's rpmg
- Ensures engine against efficient work and extended lifetime
- Contains a time registration function
- **BCM** - Battery Control Monitor

TP 175 E-ZE

Zero Emission

ZERO EMISSION FOR GREENER WORK

BATTERY VS PETROL AND DIESEL

CONSUMPTION MAX. CAPACITIVE LOAD / CO2 EMISSION

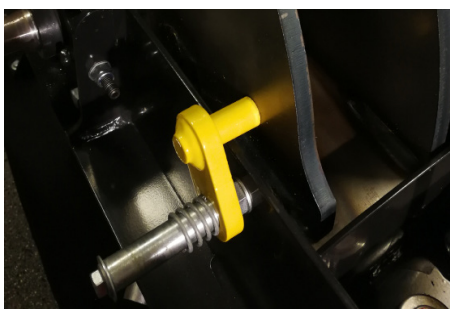
Model	1 hour		100 hours	
	Consumption	CO2	Cosumption	CO2
175 MOBILE E ZE (28,5hp/21kw)	4,5 kw	0,9kg	450 kw	88 kg
175 MOBILE Benzin (37hp/28,6kw)	11 l	26 kg	1100 l	2650 kg
175 MOBILE Diesel (25hp/18,4kw)	3,6 l	9,6 kg	360 l	960 kg

OPERATIONAL COSTS / INVESTMENT

Model	Cost (€)		Cost (€)	Woodchipper
	1 hour	100 hours	500 hours	Index*
175 MOBILE E ZE (28,5hk/21kw)	1,07	107	535	133
175 MOBILE Benzin (37hk/28,6kw)	12,35	1.235	6.175	94
175 MOBILE Diesel (25hk/18,4kw)	6,12	612	3.060	100

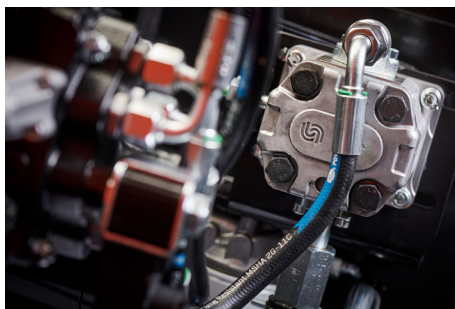
* Operating costs excl. service and maintenance of diesel and gasoline engine. According to danish price level.

Warranty: Battery 5 years / woodchipper 3 years



ROTOR LOCK

- For your safety when changing blades



QUALITY COMPONENTS FROM EUROPE

- roller motor by DANFOSS
- bearings by SKF/FAG
- pump by SAUER DANFOSS

TECHNICAL DATA

ZERO EMISSION FOR GREENER WORK

TECHNICAL SPECIFICATIONS	TP 175 E ZERO EMISSION
Max. wood diameter	175 mm
Infeed opening HxW	175 x 191 mm
Chipping principle	Disc chipper with TP TWIN DISC™ and TP OPTICUT™
In feed angle	Parallel to driving direction
Feed rollers	2 horizontal
Disc diameter	599 mm
Disc weight	69 kg
Disc rpm	1450 rpm
Number of blades	2
Counter steel	1 horizontal and 1 vertical
Chip size	4-12 mm
Engine	ME 1507 PMAC med Lithium NMC LiNiMnCoO2 Battery
Engine power	28,5 hp / 21 kW 40,5 hp / 30 kW (60 seconds peek effect)
Battery	65V with 288 Ah
Capacity	Up to 8 m³/h
Weight	827 kg
Height (storage/transport)	1750 mm
Height (operation)	TP VARIO SPOUT: (1965-2440 mm)
Length (operation)	3615 mm (4113 mm)
Width	1416 mm



HOMOLOGATION/APPROVALS/ STANDARDS

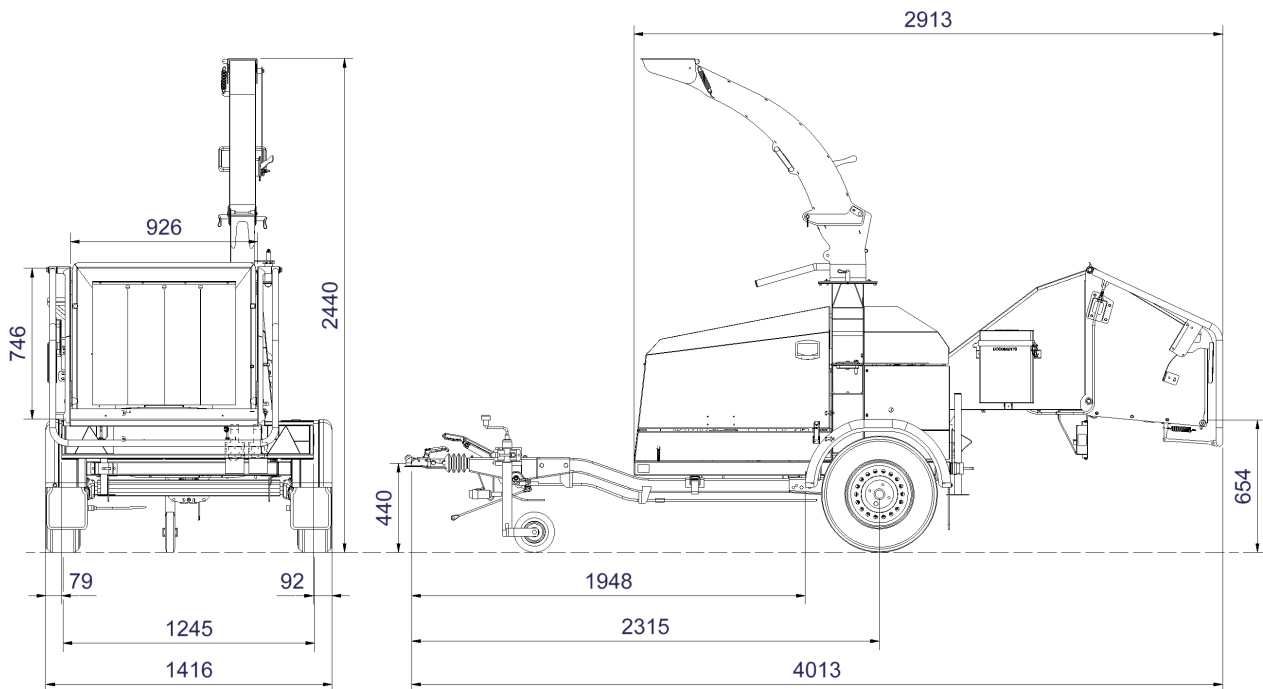
- The hot-dip galvanized trailer and chassis from ALKO
- Trailer includes overrun brake
- The chipper is supplied with a Certificate of Conformity to show that they are fully homologated and compliant with the European Directive 2007/46/EC
- The wood chipper comply with all existing safety standards (EN 13525)



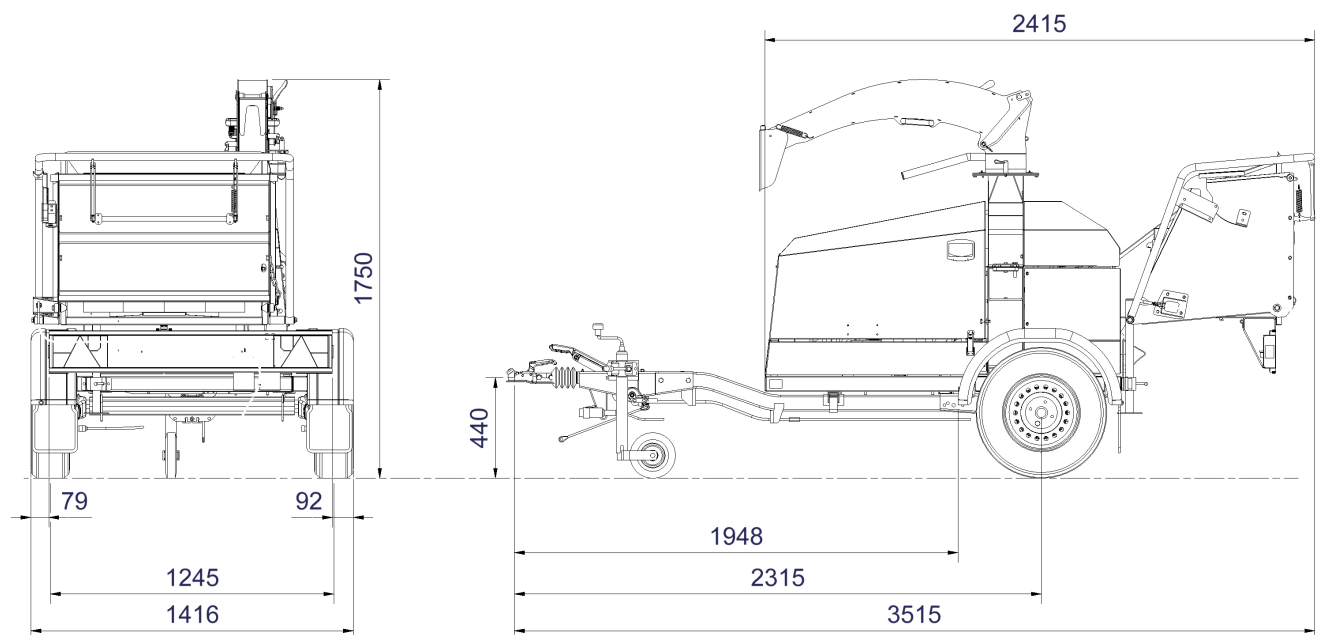
DIMENSIONS

ZERO EMISSION FOR GREENER WORK

TP 175 MOBILE/TRACK WORKING POSITION



TP 175 MOBILE TRANSPORT POSITION





– RELIABLE
WOOD
CHIPPING

LINDDANA A/S

Linddana A/S
Ølholm Bygade 70
7160 Tørring, Denmark

T +45 75 80 52 00
tp@linddana.com
www.linddana.com

Telephone and opening hours (CET)

Monday - Thursday 8.00-16.00

Friday 8.00-15.30

Spare Parts

Monday - Thursday 7.30-15.00

WOOD CHIPPERS SINCE 1980

Linddana has designed, manufactured and marketed TP Wood Chippers since 1980. Today, this Danish company is one of the world leaders in its field. Linddana supplies a strong selection of functional and reliable wood chippers for landscaping and biomass production.

TECHNOLOGY AND PEOPLE

Linddana's strong international position is founded on extensive technical expertise and a commitment to high quality, both in the selection of materials and in manufacturing processes. By combining skilled workmanship and using the latest manufacturing technology, we maintain the highest quality standards.



Dealer